

FireShield Plus

Conventional Fire Alarm Control Panels



Overview

The FireShield Plus fire alarm family consists of 3, 5 and 10 zone conventional fire alarm control panels, an integrated DACT/Dialer, serial annunciator modules, and serial remote relay modules. All of these components are microprocessor-controlled. The FireShield Plus family is ideal for both new and retrofit installations alike.

FireShield Plus incorporates features designed to simplify installation, operation and maintenance. These include front panel programming, one person walk testing, and selectable IDC and NAC types. In addition, when used with Edwards *CleanMe*[®]-compatible smoke detectors, FireShield Plus provides analog type features such as remote maintenance alert and automatic drift compensation that reduces false alarms and simplifies maintenance calls.

FSP502 and FSP1004 panels support Class A operation by combining pairs of on-board initiating circuits (IDCs) or notification circuits (NACs) to provide the necessary Class A circuits. For example, the FSP1004 comes factory set to support 10 Class B IDCs and four NACs. But it can be field-configured to provide five Class A IDCs, no Class B IDCs, and two Class A NACs – or any other combination of circuits that fall within the circuit-pairing parameters.

| | FSP1004 | FSP502 | FSP302 |
|-----------------|-----------|----------|---------------|
| Class B IDCs | Up to 10 | Up to 5 | 3 |
| Class A IDCs | Up to 5 | Up to 2 | Not supported |
| Class B NACs | Up to 4 | Up to 2 | 2 |
| Class A NACs | Up to 2 | 1 | Not supported |
| NAC Power | 3.5 amps* | 3.5 amps | 3.5 amps |
| Auxiliary power | 0.5 amps | 0.5 amps | 0.5amps |

Note: Class A operation will reduce the number of available Class B IDCs and/or NACs, depending on the panel configuration. See Specifications on page 5 for details.

*Expandable to 7.0 amps

Standard Features

- Available in 3, 5, and 10 IDC models
- IDC or NAC pairs convertible to single Class A circuits (10 and 5 IDC panels only)
- *CleanMe*[®] provides remote annunciation if a detector drifts out of UL/ULC limits reducing the chance of a false alarm
- Combination Waterflow and Supervisory IDCs reduces wire and zone counts
- NACs programmable by zone and individually selectable for Genesis, continuous, temporal outputs, or coded
- Front panel programmable simplifies installation and servicing
- Optional fully integrated DACT/Dialer for PC programming
- Genesis option allows precision synchronization and audible silence over two wires without additional modules
- On-board relays for Alarm, Supervisory and Trouble
- Optional serial bus relay modules are programmable for common or zone activation
- Optional serial bus remote annunciator family
- One person walk-test (audible or silent)
- Expandable power supply on 10 IDC panel reduces booster power costs
- Trim ring available for semi-flush mounting
- Supports 2M, "EC", 6200, 400, 500 and 700 series detectors

Application

FireShield Plus provides smoke and fire detection, occupant notification and off-premises signaling for small- to medium-sized buildings.

Each IDC can be configured for either Class B or Class A operation and one of eight operating modes:

- Alarm –with or without smoke detector verification including discrimination of contact devices
- Waterflow Alarm;
- Waterflow Alarm/Supervisory (Combination IDC);
- Supervisory (Latching/non-latching);
- Monitor (non alarm or supervisory)
- Signal Silence
- Drill
- Cross zoning

NACs may also be configured for either Class B or Class A operation. Additionally, NACs can be individually configured for one of six outputs. These are Genesis, Genesis (A/V silenceable), Continuous, Temporal, Coded, and City Tie. The Genesis selection allows independent horn control over two wires and provides precision synchronization for Genesis devices, all without the need for a Genesis Signal Master accessory.

When configured for Genesis notification appliances, FireShield Plus's Alarm Silence function will silence connected Genesis audible appliances but Genesis strobes will remain active until the panel is reset. When Genesis Mode is selected, both the horns and strobes on Genesis and Enhanced Integrity notification appliances will be synchronized across all NACs.

Note: zones may be selected for either latching or non-latching operation.

Detectors with intelligent features at a conventional price

When combined with Edwards *CleanMe*[®]-compatible smoke detectors, FireShield Plus provides intelligent features at a conventional price. If a *CleanMe*[®] detector drifts out of the UL/ULC sensitivity range, EST's patented remote maintenance reporting sends an alert to the FireShield Plus control panel. This feature reduces the chance of a false alarm and simplifies service calls. In addition, *CleanMe*[®]-compatible smoke detectors have built-in drift compensation that extends the time between cleanings. If cleaning is ever necessary, it is literally a snap with EST's exclusive replaceable optical chamber.



Panel LED Display

The following system LEDs display the panel's status:

- *Alarm* – panel is in the alarm state;
- *Trouble* – panel is in the trouble state;
- *Supervisory* – panel is in the supervisory state;
- *Power* – indicates the status of the AC power source;
- *Disable* – indicates when any IDC, NAC, relay or the DACT is disabled;
- *Annunciator Trouble* – indicates trouble on the remote annunciator bus;
- *Battery Trouble* – indicates battery or charging problems;
- *Ground Fault* – indicates a short between any panel circuit and ground;
- *Walk Test* – indicates that one or more IDCs are in the walk test mode;
- *Alarms Silenced* – indicates that the panel is in the alarm state with one or more NACs silenced.
- *Waterflow* – indicates that one or more circuits have detected an active waterflow switch.
- *Service Detector* – indicates the presence of a dirty detector.
- *Remote Disconnect* – indicates off site communication has been disabled.

Each IDC has a disable switch and three LEDs:

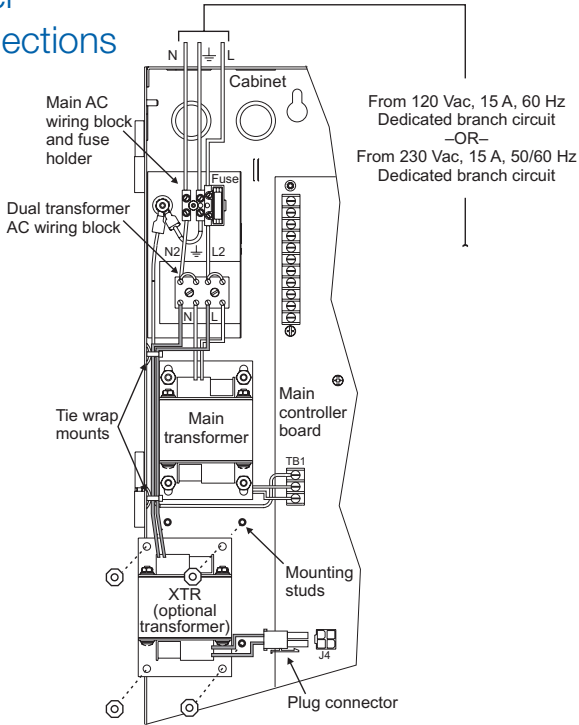
- Alarm – *red* – indicates that the IDC is in the alarm state;
- Trouble – *yellow* – indicates that the IDC is in the trouble state or is disabled (when flashing);
- Supervisory/Monitor – *yellow* – indicates that the IDC is in the supervisory state or the monitor state (when flashing).

Each NAC also has a disable switch and a trouble/disable LED.

Status indication with the DACT/Dialer installed

The dialer's LCD display provides two lines x 16 characters of text. For programming, the top line displays the programming step and the lower line displays the selected option. All system events are displayed on the LCD with custom zone messages. During normal operation, the LCD will display any off-normal condition present in the panel.

Power Connections



DACT/Dialer



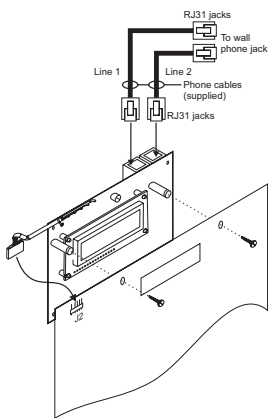
The DACT/Dialer installs behind the front panel display.

The optional DACT/Dialer is a multi-function module that provides communications, modem capability, and LCD display functions. Its primary function is as a Digital Alarm Communicator Transmitter (DACT). As a DACT, it transmits event messages to a Digital Alarm Communicator Receiver (DACR) at a monitoring facility. The monitoring facility then notifies the fire department and other responsible parties of the event. Programmable options include single or dual line operation, and split or dual reporting to two DACRs.

The DACT module can also be used as a modem to connect the panel to both local and remote computers for uploading and downloading of configuration data (programming), panel status and event history. For security, the modem can be configured to accept programming on incoming calls or it can be required to call a preprogrammed number before accepting downloads and sending uploads.

The DACT module can be configured to work as all of the above, or as only an LCD display or LCD display and modem.

Note: All panel versions are available with factory installed DACT. See order table for ordering information.



Options

Off-premise communication

A fully integrated FireShield Plus DACT/dialer is available for reporting events to a monitoring facility. The DACT also supports uploading or downloading of system configuration, status and event history. The DACT is programmable for either single or dual line operation. It also supports split and dual reporting for two digital alarm receivers.

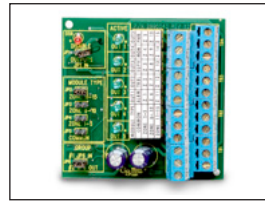
The DACT brings additional features to the panel including a 32-character alphanumeric LCD display, local or remote PC programming and an event history log.

Remote Annunciators and Relays

The serial bus standard on all FireShield Plus models is another installation time-saver. This circuit allows the connection of Remote System Indicators (FSRSI), Remote Zone Indicators (FSRZI-A, FSRZI-SA) and Remote Relay Modules (FSRRM24) over a four-wire (data and power) circuit. Annunciator and relay modules can be installed up to 1,000 feet from the panel on 18-gauge wire.

Modules are also available for City Tie (CTM) and Reverse Polarity (RPM) connections.

Remote Relay Module



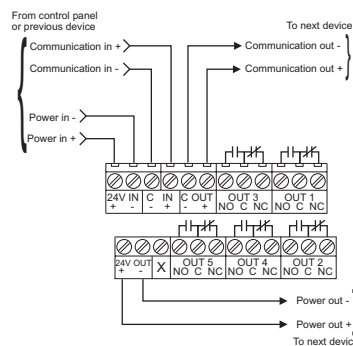
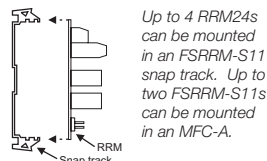
The Remote Relay Module mounts on a plastic track inside an MFC-A cabinet.

The Remote Relay Module (FSRRM24) is one component of the system that sets FireShield Plus apart from other panels in its class. This module has five Form C relays rated at 1 amp each. It can be configured to function in either a zone relay mode or a common system mode.

When configured in the zone relay mode, relays energize when the associated IDC is active. The module can be configured for activation by IDCs 1 through 5 or IDCs 6 through 10. One relay is automatically associated with each IDC.

When configured in the common system mode, relays energize or de-energize when the panel changes state. One relay is available for each of the following functions: Alarm, Supervisory, Trouble, Power Loss, Monitor.

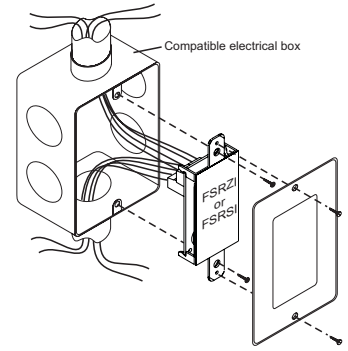
The FSRRM24 mounts on a plastic snap track and can be installed in an MFC-A or other listed fire alarm enclosure. The panel will support two RRM's of each configuration for a total of six on the 10-zone panel.



Remote Annunciators



The FireShield Plus family has several remote annunciation options. The serial remote annunciator bus can be run up to 1000 feet (305 m) on untwisted non-shielded 18-gauge cable. Serial annunciator models round out the family to provide a range of features and functions. As many as three annunciator modules may be mounted in a standard electrical box, sharing an attractive trim plate that blends with any decor.

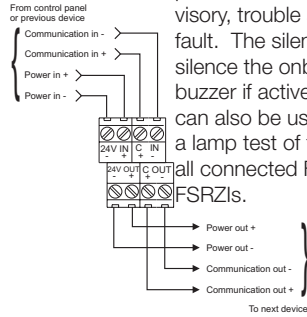


The FSRSI can be installed alone or with one or more FSRZIs. The FSRSI and FSRZI-A require trim plates (ordered separately). These are available in one, two or three gang models. Each panel will support two FSRZIs.



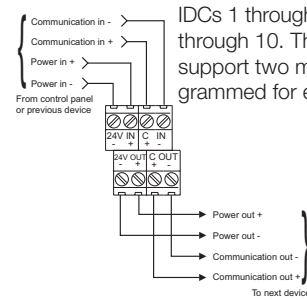
Remote System Indicator (FSRSI)

The FSRSI is ideal for common system annunciation. It includes five LEDs and a local silence/lamp test switch. The LEDs indicate power status, alarm, supervisory, trouble and ground fault. The silence switch will silence the onboard trouble buzzer if active. The switch can also be used to initiate a lamp test of the LEDs on all connected FSRZIs and FSRZIs.



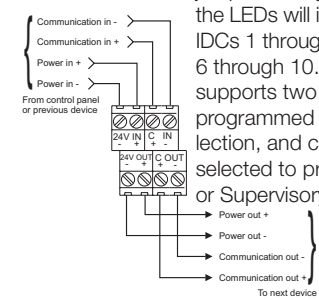
Remote Zone Indicator (FSRZI-A)

The FSRZI-A is used to indicate zones in the alarm state. It contains five red LEDs. Depending on the jumper setting selected, the LEDs will indicate either IDCs 1 through 5 or IDCs 6 through 10. The panel can support two modules programmed for each selection.



Remote Zone Indicator (FSRZI-SA)

The FSRZI-SA is used to indicate zones in the alarm or supervisory state. It contains five bi-color LEDs. Depending on the jumper setting selected, the LEDs will indicate either IDCs 1 through 5 or IDCs 6 through 10. The panel supports two modules programmed for each selection, and can be jumper selected to provide Alarm or Supervisory indications.



FSRA10, FSRA10C

Remote LED annunciators

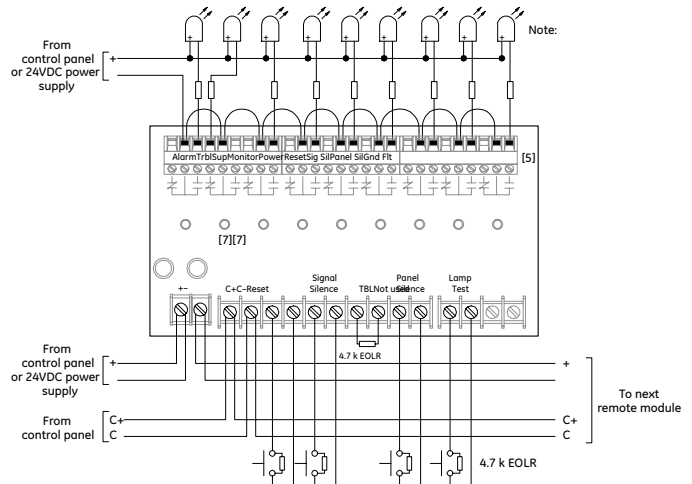
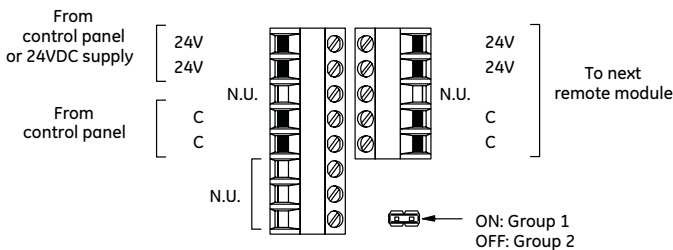
The FSRA10 is a remote annunciator with capacity for up to ten zones. It includes ten bi-color LEDs (red/yellow) for indicating active zones, and ten yellow LEDs for indicating zone troubles. The (C) option adds common control switches. Both versions mount to standard North American 4-inch square electrical boxes. A surface box is also available.



FSUIM Graphic Driver/Interface

The FSUIM is a universal interface module that can be used by FireShield to drive graphic annunciators. It also allows FireShield control panels to control, or be controlled by, other control panels. The FSUIM provides five supervised switch inputs and nine dry contact relay outputs. Nine LEDs provide visual confirmation when each relay is energized. The FSUIM is shipped with a plastic snap track for mounting in an MFC-A cabinet or other listed fire alarm enclosure.

FSRA10, FSRA10C Wiring



Remote Annunciator Specifications

| Remote Annunciators | FSRSI Remote System Indicator | FSRZI-A/FSRZI-SA Remote Zone Indicator |
|-----------------------------|--|--|
| Maximum per System | All panels: 2 | 10 zone panel: 4 3 or 5 zone panel: 2 |
| Current Requirements | Standby: 17 mA Alarm: 56 mA | Standby: 8 mA Alarm: 76 mA |
| Voltage Range | Minimum: 18.8 Vdc; Maximum: 27.3 Vdc | |
| Maximum Circuit Capacitance | 0.03 µF | |
| Maximum Circuit Resistance | 13 Ohms | |
| Wire Size | 18 - 12 AWG (0.75 mm ² - 2.5 mm ²) | |
| Mounting | ANSI/NEMA OS1-1996 1-3 gang electrical box | |
| Operating Environment | Temperature: 32 - 120° F (0 - 49° C); Humidity: 93% RH, non-condensing | |

| Remote Relay Module – FSRRM24 | Configured for Zone Mode | Configured for Common Mode |
|-------------------------------|---|---------------------------------|
| Maximum per system | 10 zone panel: 4; 3 or 5 zone panel: 2 | All panels: 2 |
| Current Requirements | Standby: 10 mA; Alarm: 70 mA | Standby: 26 mA; Alarm: 70 mA |
| Voltage Range | Minimum: 18.8 Vdc; Maximum: 27.3 Vdc | |
| Contact Rating | 1 A @ 30 Vdc | |
| Maximum Circuit Capacitance | 0.03 µF | |
| Maximum Circuit Resistance | 13 Ohms | |
| Wire Size | 18 - 12 AWG (0.75 mm ² - 2.5 mm ²) | |
| Mounting | Single FSRRM24 mounts in plastic track (included) or up to four FSRRM24s in an FSRRM-S11 11" track ordered separately. FSRRM24s should be installed in an MFC-A or other listed fire alarm enclosure. | |
| Operating Environment | Temperature: 32 - 120° F (0 - 49° C); Humidity: 93% RH, non-condensing | |
| Dimensions | 2-3/4" W x 3-3/8" H x 1-1/2" D (65.9 mm W x 85.7 mm H x 38.1 mm D) | |

| F-Series Remote Annunciators | FSRA10 | FSRA10C |
|------------------------------|--|---------|
| Common Controls | No | Yes |
| Dimensions | 5-5/8" x 8½" x 1 ½" in (14.3 cm x 21.4 cm x 3.8 cm) | |
| Mounting | North American 4-inch square electrical box or listed enclosure | |
| Power Wiring | 18 to 12 AWG (0.75 to 2.50 sq mm) | |
| Data Wiring | 18 to 12 AWG (0.75 to 2.50 sq mm) twisted pair (6 twists per foot minimum) | |
| Operating voltage | 18.8 to 27.3 Vdc Supply must be UL/ULC listed for fire protective signaling systems. Do not use FACP accessory power outputs that are interrupted when the panel is reset. | |
| Standby current | 17 mA | |
| Alarm current | 98 mA | |
| Operating environment | Temperature: 32 to 120 °F (0 to 49 °C); Humidity: 0 to 93% RH, noncondensing at 90 °F (32 °C) | |

| FSUIM Universal Input Module | |
|------------------------------|---|
| Mounting | MFC-A cabinet or listed fire alarm enclosure |
| Wire size | 12 to 18 AWG (0.75 to 2.5 sq mm) |
| Operating voltage | 21.2 to 27.3 Vdc |
| Circuit capacitance | 0.03 µF, max. |
| Circuit resistance | 13 ohms, max. |
| Switch inputs | Quantity: 5 End-of-line resistor: 4.7 k ohms ½ W |
| Relay outputs | Quantity: 9 Type: Common Style: Form C |
| Contact rating | 30 Vdc at 1 A (resistive load) |
| Standby Current | 53 mA |
| Alarm Current | 114 mA |
| Operating environment | Temperature: 0 to 49 °C (32 to 120 °F); Humidity: 0 to 93% RH, noncondensing at 32 °C (90 °F) |

Control Panel Specifications

| Control Panels | | FSP1004 | | | | | | FSP502 | | | FSP302 | |
|---|------------------|--|---|---|---|---|---|-------------------------------------|---|---|---------------------------------|--|
| Initiating Device Circuits – IDCs (Available combinations shown at right) | Class B | 10 | 8 | 6 | 4 | 2 | 0 | 5 | 3 | 1 | Three Class B IDCs | |
| | Class A | 0 | 1 | 2 | 3 | 4 | 5 | 0 | 1 | 2 | | |
| Notification Appliance Circuits – NACs (Available combinations shown at right) | Class B | 4 | 2 | 2 | | 0 | | 2 | 0 | | Two Class B NACs | |
| | Class A | 0 | 1 | 1 | | 2 | | 0 | 1 | | | |
| Power Supply | | 4.25 amps expandable to 7.5 amps | | | | | | 4.25 amps total | | | 4.25 amps total | |
| NAC Voltage Rating | | | | | | | | 24 V _{fwr} | | | | |
| Maximum NAC current | | 2.0 amps each, 3.5 amps total 7.0 amps w/ optional transformer | | | | | | 2.0 amps each 3.5 amps total | | | 2.0 amps each 3.5 amps total | |
| AC Input | 120 Vac 60 Hz... | 2.2 amps w/ optional transformer 1.1 amps w/ optional transformer | | | | | | 1.25 amps 0.6 amps | | | 1.2 amps 0.6 amps | |
| Base Panel Current Draw | Standby... | 128 mA 242 mA | | | | | | 104 mA 224 mA | | | 96 mA 180 mA | |
| Alarm... | | | | | | | | | | | | |
| Panel Battery Charge Capacity (sealed lead acid only) | | Up to two 24 Ah batteries, 18 Ah in cabinet | | | | | | Up to 24 Ah, 10 Ah max in cabinet * | | | | |
| Auxiliary Current | | 0.5 amps max. May be programmed as resettable. | | | | | | | | | | |
| Auxiliary Output | | 24 Vdc regulated | | | | | | | | | | |
| IDC Alarm Current | | 3.0 mA (Consult detector compatibility list p/n 3100468 for maximum detectors per circuit) | | | | | | | | | | |
| IDC Circuit | | Maximum loop resistance: 13 Ohms; Maximum loop capacitance: 0.03 μF | | | | | | | | | | |
| IDC Operating Voltage | | 16.9 to 29 Vdc | | | | | | | | | | |
| UL Detector ID | | 100 | | | | | | | | | | |
| Alarm Contact (normally open Form C) | | 30 Vdc @ 1 A (resistive load) | | | | | | | | | | |
| Trouble Contact (Form C) | | 30 Vdc @ 1 A (resistive load) | | | | | | | | | | |
| Supervisory Contact (normally open Form C) | | 30 Vdc @ 1 A (resistive load) | | | | | | | | | | |
| Operating Environment | | Temperature: 32 - 120° F (0 - 49° C); Humidity: 5 - 93% RH, non-condensing | | | | | | | | | | |
| Terminals (wire gauge) | | 18 - 12 AWG (0.75 mm ² - 2.5 mm ²) | | | | | | | | | | |
| Asynchronous Serial Communications | | Maximum resistance: 13 Ohms; Maximum capacitance: 0.03 μF | | | | | | | | | | |

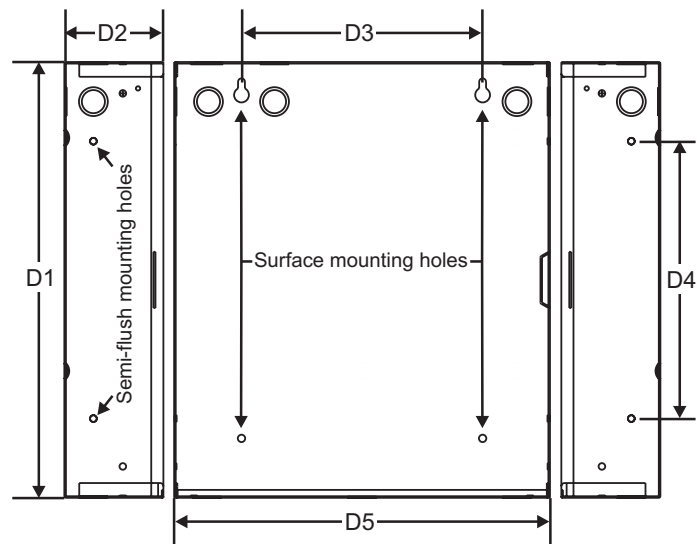
* If larger batteries are required, use an external battery cabinet.

| DACT – F-DACT (mounts in panel) | |
|---------------------------------|--|
| Receivers | Supports two receivers with two phone numbers each |
| Communications Protocol | Contact ID (SIA DC-05), 4/2 (SIA DC-02 P3) |
| Programming | Front panel controls or PC with appropriate software |
| Telephone line connection | Two RJ31X (plug-to-plug) cords supplied with DACT |
| Telephone lines | Two or one loop start lines on the public switched telephone network. Pulse or DTMF. |
| Telephone wall connector | RJ31X/CA31X equiv. or RJ38X/CA38X equiv. |
| Communications Compliance | Industry Canada CS-03; FCC/CFR 47 Parts 15 & 68; NFPA 72; UL 864; ULC S527 |
| Operating Environment | Temperature: 32-120° F (0-49° C); Humidity: 93% RH, non-condensing |
| Current requirements | Standby: 65 mA; Alarm: 107 mA |

Dimensions

| Model | D1* | D2 | D3 | D4 | D5* |
|--------------------|----------------------|---------------------|----------------------|-----------------------|------------------------|
| Three- & five-zone | 19.5 in (49.5 cm) | 3.75 in (9.5 cm) | 9.13 in (23.2 cm) | 10.5 in (26.67 cm) | 14.23 in (36.14 cm) |
| Ten-zone | 30 in (76.2 cm) | 3.75 in (9.5 cm) | 7.75 in (19.7 cm) | 21.27 in (54.0 cm) | 16.25 in (41.27 cm) |

*Add 1 1/2 inches (3.81 cm) to D1 and D5 dimensions for trim kit.



Ordering Information

| Part Number | Description | Ship Wt. lb. (kg.) |
|--|--|--------------------|
| Control Panels | | |
| FSP1004* | Conventional Fire Alarm Control Panel – 10 Class B IDCs and 4 Class B NACs (Pairs of IDCs and NACs convertible to single Class A circuits), 120 Vac | 30.5 (13.8) |
| FSP1004-2 | Conventional Fire Alarm Control Panel – 10 Class B IDCs and 4 Class B NACs (Pairs of IDCs and NACs convertible to single Class A circuits), 230 Vac. Grey cabinet. | 30.5 (13.8) |
| FSP502* | Conventional Fire Alarm Control Panel – 5 Class B IDCs and 2 Class B NACs (Pairs of IDCs and NACs convertible to single Class A circuits), 120 Vac | 18.5 (8.4) |
| FSP502-2 | Conventional Fire Alarm Control Panel – 5 Class B IDCs and 2 Class B NACs (Pairs of IDCs and NACs convertible to single Class A circuits), 230 Vac. Grey cabinet. | 18.5 (8.4) |
| FSP302* | Conventional Fire Alarm Control Panel – 3 Class B IDCs and 2 Class B NACs, 120 Vac | 18.0 (8.2) |
| FSP302*-2 | Conventional Fire Alarm Control Panel – 3 Class B IDCs and 2 Class B NACs, 230 Vac | 18.0 (8.2) |
| F-TRIM35* | Semi-flush trim ring for FSP302 and FSP502 | 1.7 (0.8) |
| F-TRIM10* | Semi-flush trim ring for FSP1004 | 2.2 (1.0) |
| * Insert "G" for Gray cabinet or "R" for Red cabinet. Insert "F" for French language (grey cabinets, not available on 220v versions). Insert "GD" or "RD" for red and gray cabinets with dialer installed. | | |
| Related Items | | |
| F-XTR120 | Expander Transformer, 120 Vac - For FSP1004* only | 4.0 (1.8) |
| F-XTR230 | Expander Transformer, 230 Vac - For FSP1004*-2 only | 4.0 (1.8) |
| EOL3.6-1.1 | Required UL listed End of Line Resistors – One 3.6K Ohm and one 1.1K Ohm. One required for each IDC configured as combination waterflow and supervisory. | 0.1 (0.5) |
| EOL-P1 | Required ULC listed End of Line Resistor Plate - includes one 1.1K, 3.6K and 4.7K Ohm resistor | 1.0 (0.5) |
| Off Premises Communications | | |
| F-DACT | Digital Communicator/Modem/LCD module (Mounts in control panel) | 1.0 (0.5) |
| RPM | Reverse Polarity Module | 3.0 (1.36) |
| CTM | City Tie Module (Requires 4" square or 2-gang North American electrical box) | 1.0 (0.5) |
| Remote Annunciation | | |
| FSRSI | Remote System Indicator – Includes LEDs for display of Power, Alarm, Supervisory, Trouble and Ground Fault, trouble sounder and silence/lamp test switch. Single gang trim plate included, multi-gang plates ordered separately. Mounts in a single or multi-gang North American electrical box. | 0.3 (0.1) |
| FSRZI-A | Remote Zone Indicator – Includes red LEDs for five IDCs. Single gang trim plate included, multi-gang plates ordered separately. Mounts in single or multi-gang North American electrical box. | 0.3 (0.1) |
| FSRZI-SA | Remote Zone Indicator – Includes LEDs for five IDCs. Single gang trim plate included, multi-gang plates ordered separately. Mounts in single or multi-gang North American electrical box. Jumper selected Alarm (red) or Supervisory (amber) indications. | 0.3 (0.1) |
| FSAT1 | Annunciator Trim Plate, 1 gang | 0.1 (0.05) |
| FSAT2 | Annunciator Trim Plate, 2 gang | 0.1 (0.05) |
| FSAT3 | Annunciator Trim Plate, 3 gang | 0.1 (0.05) |
| FSAT4 | Annunciator Trim Plate, 4 gang | 0.1 (0.05) |
| FSRA10 | Single Unit 10 zone remote annunciator for FSP1004 – Insert "F" after p/n for French language option | |
| FSRA10C | Single Unit 10 zone remote annunciator for FSP1004 (with common controls) – Insert "F" after p/n for French language option | |
| FSUIM | Common Function Graphic Driver/Interface - 9 relays and 5 switch inputs for common system indicators and controls | |
| Remote Relay Module | | |
| FSRRM24 | Remote Relay Module – Five Form C relays. Configurable for IDCs 1-5, or 6-10, or common system indications. Requires MFC-A or other listed fire alarm enclosure. | 0.4 (0.2) |
| FSRRM-S11 | 11" Mounting track. Holds up to 4 FSRRM24s. | 0.4 (0.2) |
| Accessories | | |
| MFC-A | Multi-function Cabinet (fire alarm accessory enclosure) | 7.0 (3.2) |
| Batteries | | |
| 12V4A | 4.5 Ah Sealed Lead Acid Battery - 12 Vdc (2 required) | 5 (2.27) |
| 12V6A5 | 7.2 Ah Sealed Lead Acid Battery - 12 Vdc (2 required) | 6 (2.72) |
| 12V10A | 11 Ah Sealed Lead Acid Battery - 12 Vdc (2 required) | 10 (4.45) |
| 12V17A | 18 Ah Sealed Lead Acid Battery - 12 Vdc (2 required) | 13 (5.90) |
| 12V24A | 26 Ah Sealed Lead Acid Battery - 12 Vdc (2 required) | 20 (9.07) |



Detection & alarm since 1872

U.S.

T 888-378-2329

F 866-503-3996

Canada

Chubb Edwards

T 519 376 2430

F 519 376 7258

Southeast Asia

T : +65 6391 9300

F : +65 6391 9306

India

T : +91 80 4344 2000

F : +91 80 4344 2050

Australia

T +61 3 9239 1200

F +61 3 9239 1299

Europe

T +32 2 725 11 20

F +32 2 721 86 13

Latin America

T 305 593 4301

F 305 593 4300

utcfireandsecurity.com

© 2010 UTC Fire & Security.

All rights reserved.
